

DESCRIPTION

AMC MODEL SWN-1140-4DR-STANDARD OPTION: 0518, HPR2W, B02 IS A 0.5 TO 18 GHz, SINGLE POLE FOUR THROW, REFLECTIVE SWITCH HAVING AN ISOLATION OF 60 dB MINIMUM BETWEEN 0.5 TO 2 GHz, 70 dB MINIMUM BETWEEN 2 TO 18 GHz, AN INSERTION LOSS OF 3.0 dB MAXIMUM AND A VSWR OF 2.0:1.

SPECIFICATIONS:

- FREQUENCY: 0.5 GHz TO 18 GHz
- INSERTION LOSS: 3.0db
- ISOLATION: 0.5 GHz TO 2 GHz: 60db
2 GHz TO 18 GHz: 70db
- VSWR: 2.0:1
- SPEED: RISE: 10ns TYPICAL, 15ns MAX.
FALL: 10ns TYPICAL, 15ns MAX.
DELAY ON: 75ns TYPICAL, 100ns MAX.
DELAY OFF: 75ns TYPICAL, 100ns MAX.
- POWER INPUT: (CW)+20dBm (STANDARD)
+10 dBm (HIGH SPEED)
- SURVIVAL POWER: 1 WATT CW, 10 WATTS PEAK 1 usec
- CONTROL: TTL LOGIC "0"=ON "1"=OFF
- POWER SUPPLY: +5V @ 200 mA MAX
-15V @ 75mA MAX

OPTIONS:

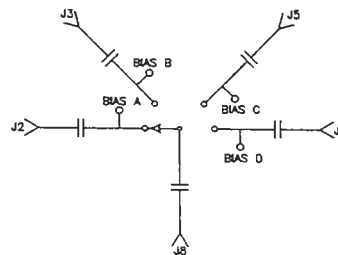
INDEPENDENT CONTROL WITH SOLDER PIN STANDARD
 0518: OPTIMIZED FOR 0.5-18 GHz
 HPR2W: HIGH POWER OF 2 WATTS
 B02: -15 V POWER SUPPLY

ENVIRONMENTAL RATINGS

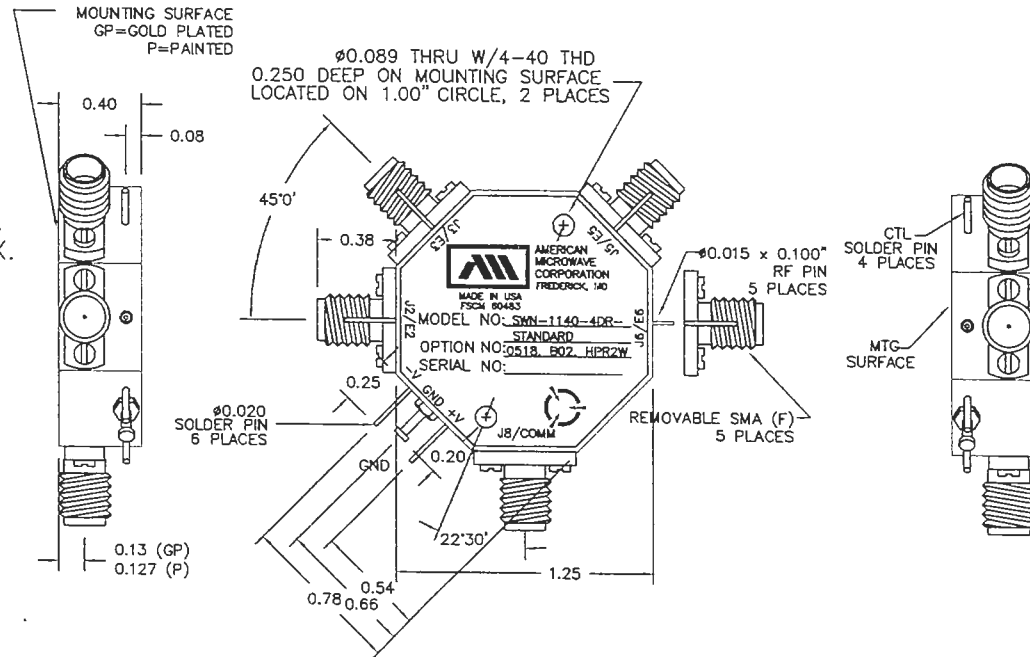
- TEMPERATURE: -55°C TO +85°C (OPERATING)
-65°C TO +125°C (STORAGE)
- HUMIDITY: MIL-STD-202F, METHOD 103B COND. B
- SHOCK: MIL-STD-202F, METHOD 213B COND. B
- VIBRATION: MIL-STD-202F, METHOD 204D COND. B
- ALTITUDE: MIL-STD-202F, METHOD 105C COND. B
- TEMPERATURE CYCLE: MIL-STD-202F, METHOD 107D COND. A

NOTE: SPECIFICATIONS WILL VARY OVER OPERATING TEMPERATURE
 NOTE: THE ABOVE SPECIFICATIONS ARE SUBJECT TO CHANGE OR REVISION

ALL DIMENSIONS ARE IN INCHES
 TOLERANCES:
 X.XX ±0.020
 X.XXX ±0.010



REVISIONS				
ZONE	REV.	DESCRIPTION	DATE	APPROVED
-		ORIGINAL RELEASE JOB# 402026PE-3	3/30/04	



AMERICAN MICROWAVE CORPORATION

7311-G GROVE ROAD
 FREDERICK, MARYLAND 21704 USA
 TEL: 301-662-4700 FAX: 301-662-4938
 WEBSITE: www.americanmicrowavecorp.com
 E-MAIL: sales@americanmicrowavecorp.com
 ISO 9001:2000 CERTIFIED



APPROVALS		DATE	TITLE		PRODUCT FEATURE
DRAWN	EZE	3/30/04	SWN-1140-4DR-STANDARD		OPTION: 0518, HPR2W, B02
REDRAWN	JDT	8/30/04	0.5 TO 18 GHz, SINGLE POLE FOUR THROW SWITCH		
ISSUED	DP	7/3/04	SIZE	FSCM NO.	DWG NO.
			A	60483	100-6946
			SCALE	N:S	SHEET 1 OF 3